

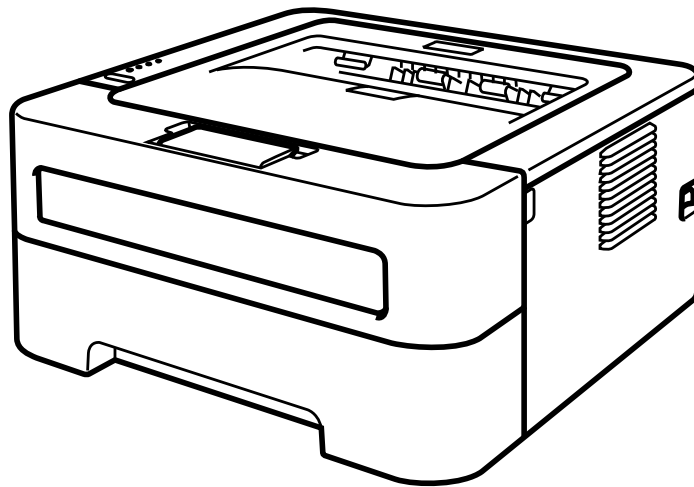


# Laser Printer **PARTS REFERENCE LIST**

---

---

**MODEL: HL-2240D/2250DN**



Read this list thoroughly before maintenance work.

Keep this list in a convenient place for quick and easy reference at all times.

# NOTE FOR USING THIS PARTS REFERENCE LIST

1. In the case of ordering parts, it is necessary to mention the following items:

- (1) Code
- (2) Q'ty
- (3) Description
- (4) Symbol (PCB No. etc.)

<Example>

	(1)	(2)	(3)	(4)	
REF.NO.	CODE	Q'TY	DESCRIPTION	SYMBOL	REMARK

Revision No.: marked on the **main printed circuit board (Main PCB)**

**B48K056**

----- Circuit board No.

2. Design-changed parts:

If any of the parts is changed, one of the following symbols is indicated in the REMARK column.

CHG (chg): The part is changed for a new one.

ADD (add): The part is newly added.

DEL (del): The part is deleted.

Symbol in capital letters indicates the latest parts change information in the page.

3. The original parts reference list is based on the information available in July 2009.

4. Parts are subject to change in design without prior notice.

## **COUNTRIES AND AREAS**

CHE: Switzerland

FRA/BEL/NLD: France/Belgium/Netherlands

GER: Germany

IBR: Spain/Portugal

ITA: Italy

PND: PAN-NOR

(Norway/Finland/Denmark/Sweden)

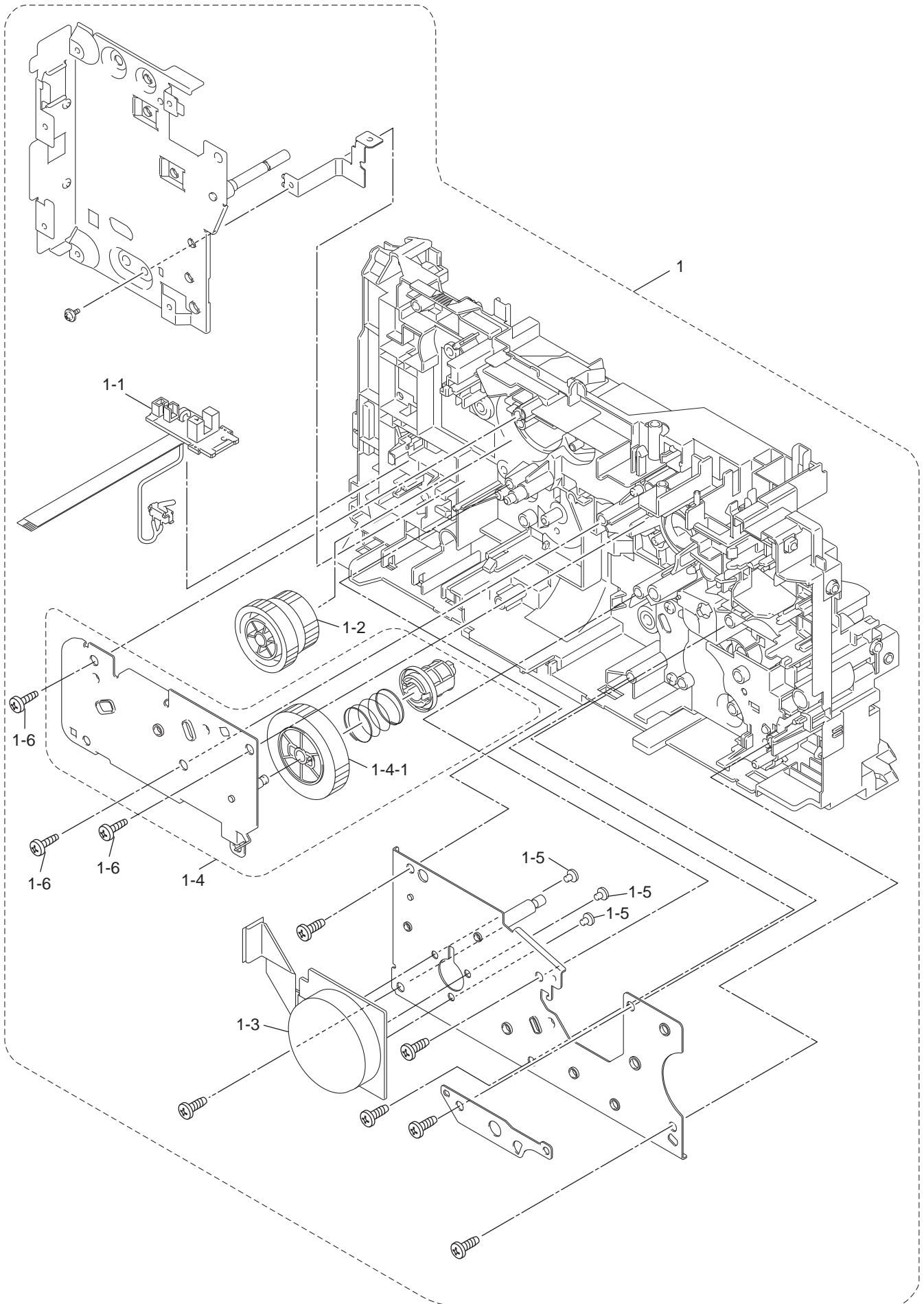
UK: U.K.

US: U.S.A.

# CONTENTS

1.	<u>FRAME L &amp; DRIVE UNIT</u> .....	1
2.	<u>PAPER FEEDER</u> .....	3
3.	<u>FRAME</u> .....	5
4.	<u>LASER UNIT</u> .....	7
5.	<u>DX</u> .....	9
6.	<u>PAPER CASSETTE</u> .....	11
7.	<u>FUSER UNIT</u> .....	13
8.	<u>COVERS &amp; LABELS</u> .....	15
9.	<u>MAIN PCB</u> .....	17
10.	<u>LVPS</u> .....	19
11.	<u>HVPS</u> .....	21
12.	<u>AC CORDS</u> .....	23
13.	<u>ACCESSORIES</u> .....	25
14.	<u>PACKING MATERIALS</u> .....	27
15.	<u>PERIODICAL MAINTENANCE</u> .....	29

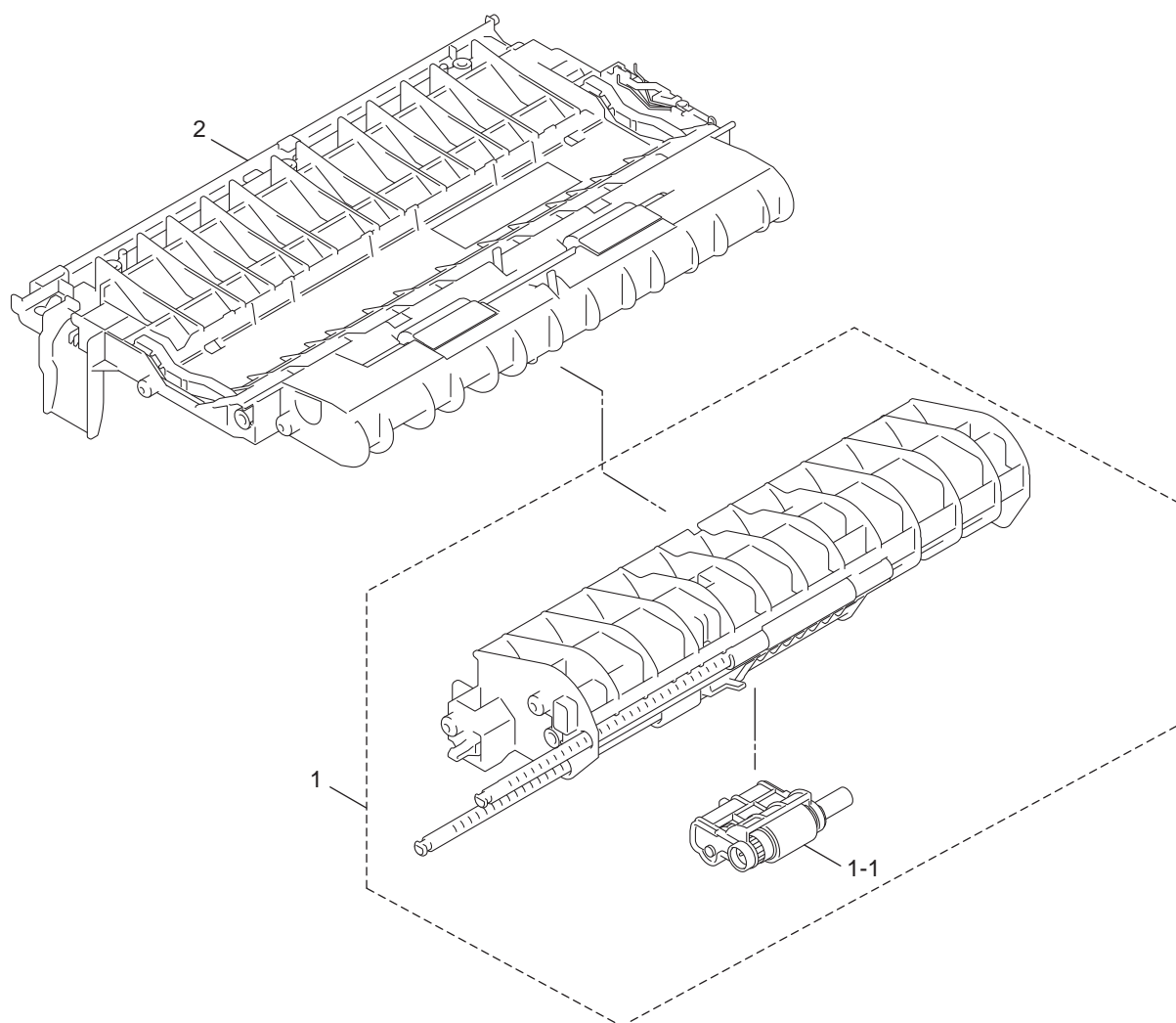
# 1. FRAME L & DRIVE UNIT



1. FRAME L & DRIVE UNIT

REF No.	CODE	Q'TY	DESCRIPTION	REMARKS
1	LY2003001	1	MAIN FRAME L ASSY, HL-2240D	
1	LY2309001	1	MAIN FRAME L ASSY, HL-2250DN	
1-1	LV0579001	1	PAPER EJECT SENSOR PCB ASSY	
1-2	LY2010001	1	FUSER GEAR 28/34	
1-3	LY2054001	1	MAIN MOTOR	
1-4	LY2067001	1	DEVELOP DRIVE SUB ASSY	
1-4-1	LY2070001	1	DEV GEAR JOINT/52	
1-5	000300416	3	SCREW BIND M3X4	
1-6	LU5693001	3	TAPTITE BIND B M4X12	

## 2. PAPER FEEDER

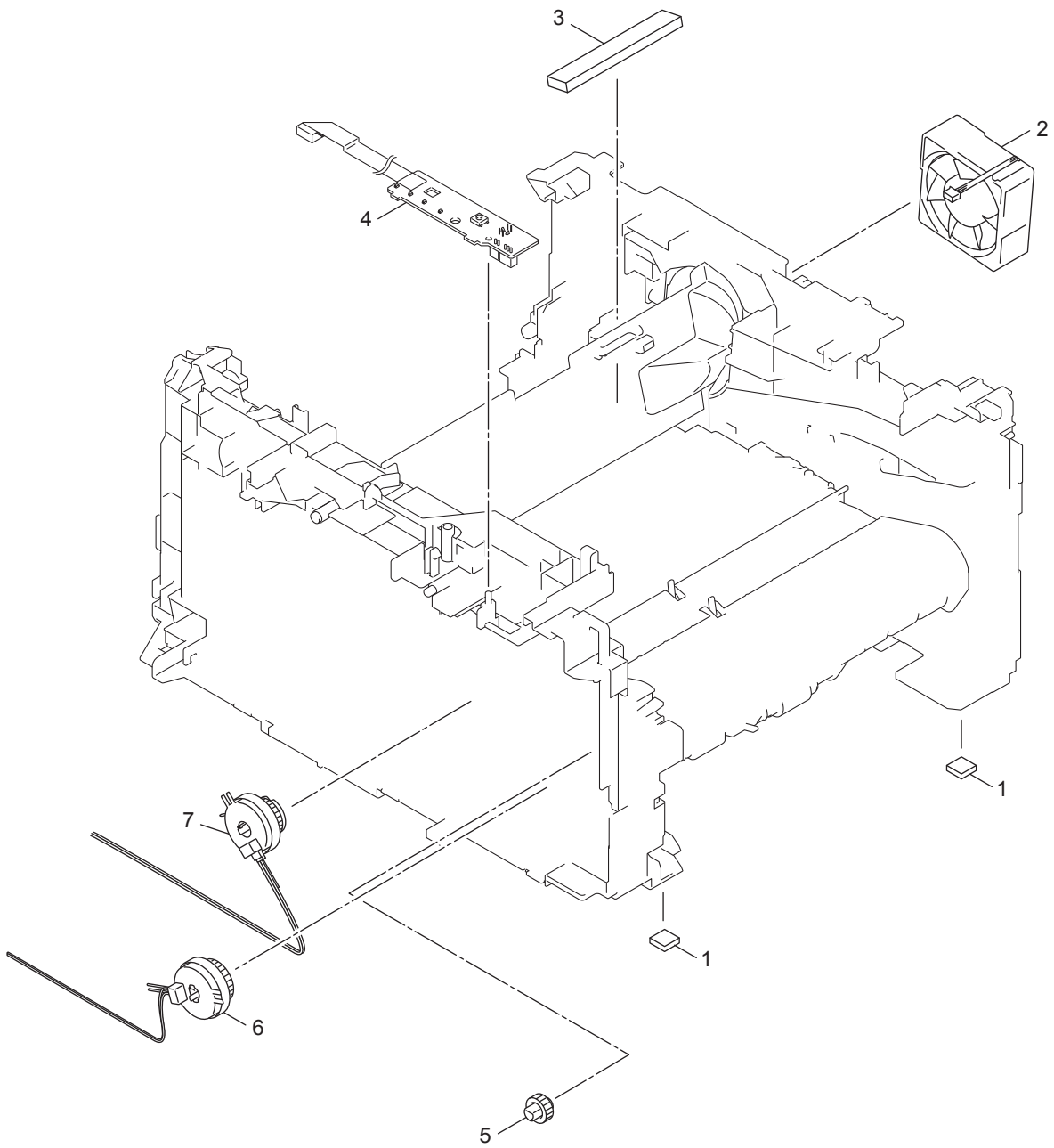


2. PAPER FEEDER

REF No.	CODE	Q'TY	DESCRIPTION	REMARKS
1	LY2087001	1	PF FRAME ASSY, HL-2240D	
1	LY2312001	1	PF FRAME ASSY, HL-2250DN	
1-1	LY2093001	1	ROLLER HOLDER ASSY	
2	LY2101001	1	REGIST FRAME ASSY, HL-2240D/2250DN	



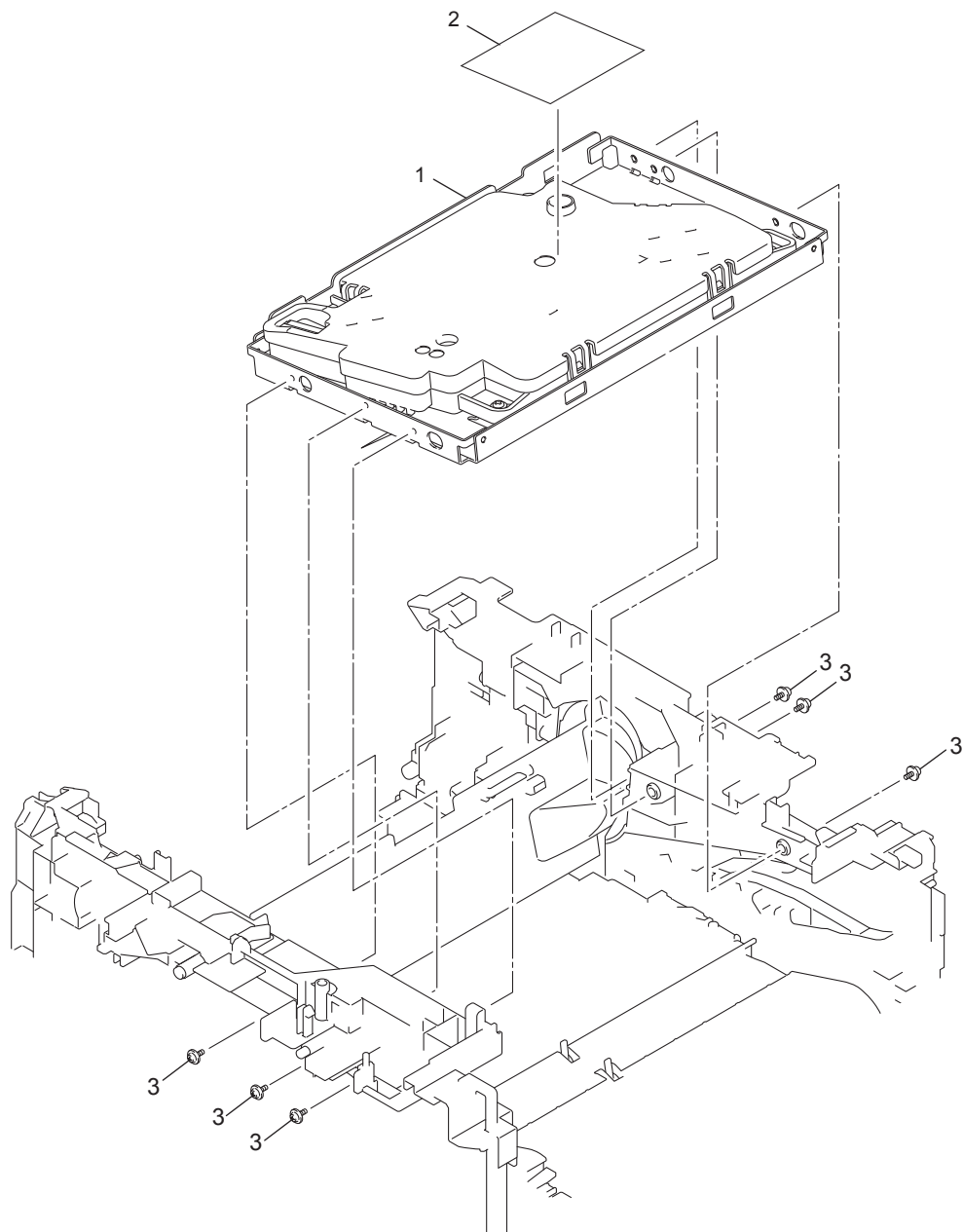
### 3. FRAME



### 3. FRAME

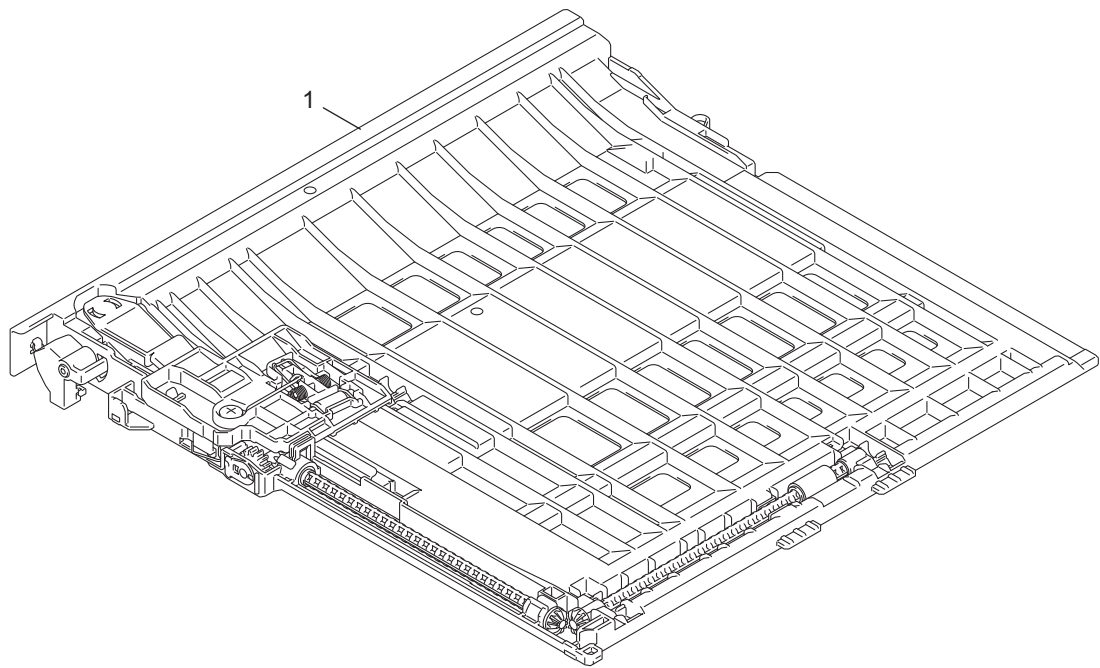
REF No.	CODE	Q'TY	DESCRIPTION	REMARKS
1	LJ7403001	2	RUBBER FOOT	
2	LY2136001	1	FAN MOTOR 60 ASSY	
3	LY2141001	1	FILTER	
4	LV0664001	1	PANEL PCB ASSY, HL-2240D	
4	LV0580001	1	PANEL PCB ASSY, HL-2250DN	
5	LY2584001	1	FEEDER GEAR 17	
6	LY2144001	1	T1 CLUTCH ASSY	
7	LY2150001	1	REG CLUTCH ASSY	

#### 4. LASER UNIT



4. LASER UNIT

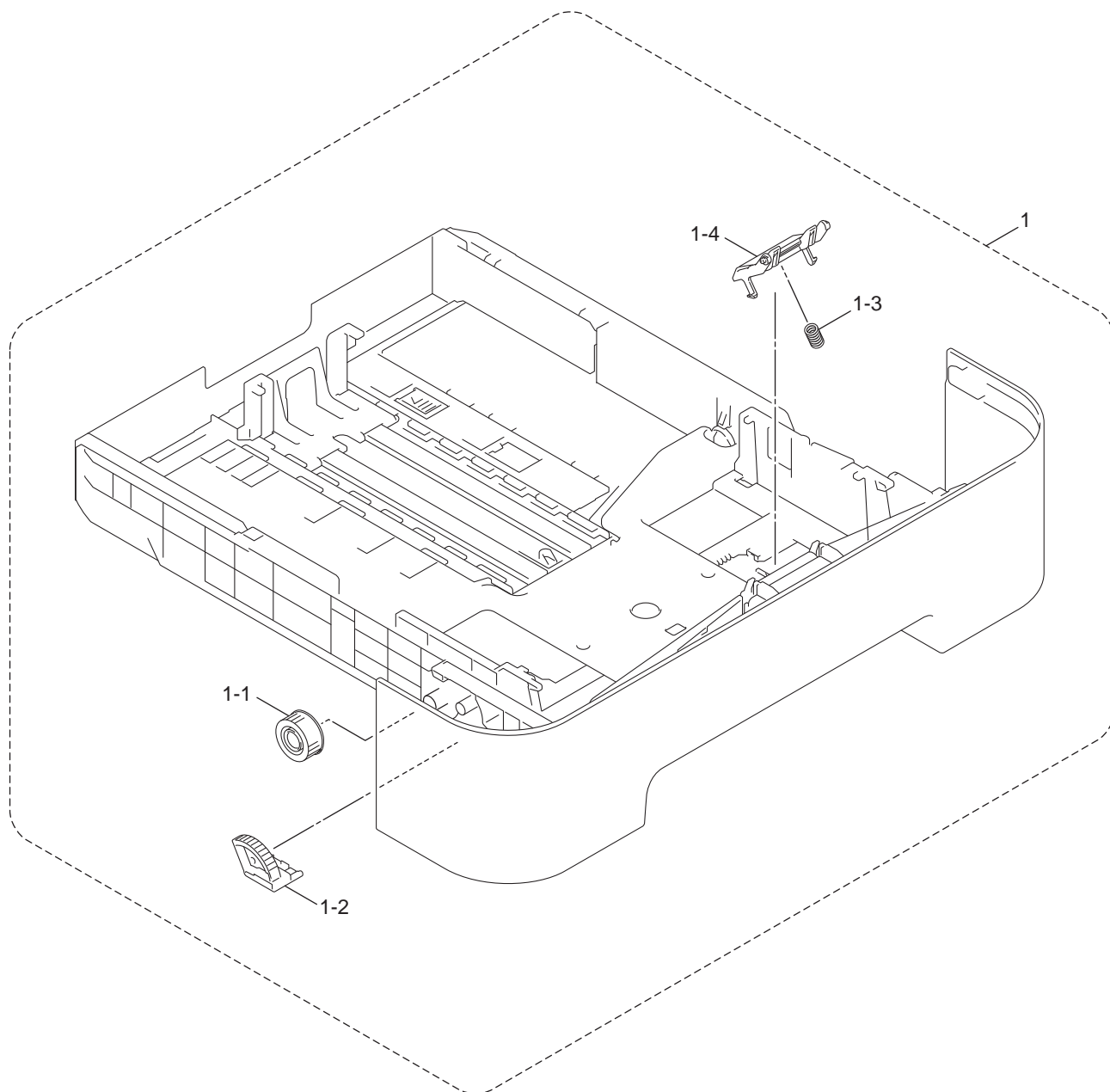
REF No.	CODE	Q'TY	DESCRIPTION	REMARKS
1	LY2514001	1	LASER UNIT BLL A (SP), HL-2240D/2250DN	
2	LU1259001	1	LABEL LASER CAUTION 75X100	
3	LY2700001	6	TAPTITE CUP S M3X6 SR	



5. DX

REF No.	CODE	Q'TY	DESCRIPTION	REMARKS
1	LY2166001	1	DUPLEX TRAY, HL-2240D FOR US	
1	LY2452001	1	DUPLEX TRAY, HL-2240D/2250DN EXCEPT FOR US	

## 6. PAPER CASSETTE

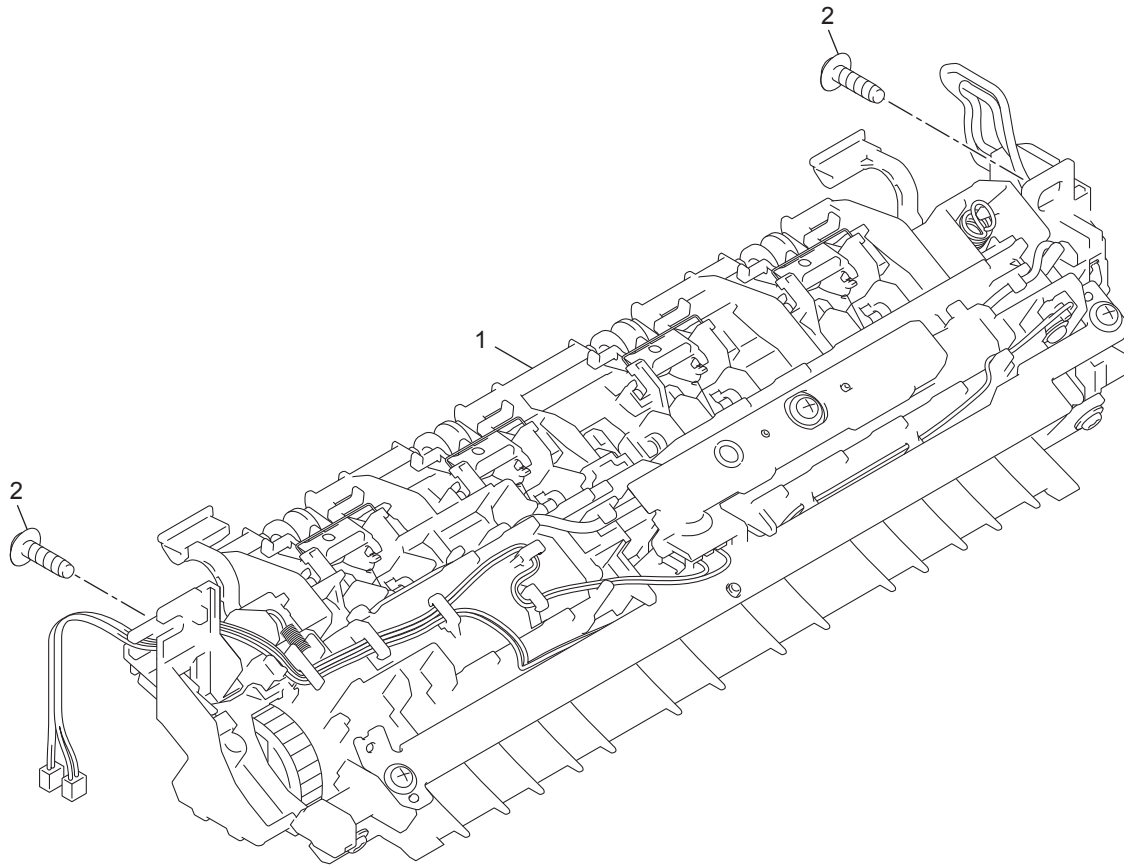


6. PAPER CASSETTE

REF No.	CODE	Q'TY	DESCRIPTION	REMARKS
1	LY2190001	1	PAPER TRAY, HL-2240D FOR US	
1	LY2567001	1	PAPER TRAY, HL-2240D/2250DN EXCEPT FOR US	
1-1	LR0252001	1	GEAR Z19M10	
1-2	LY2202001	1	LIFT GEAR 46	
1-3	LY2207001	1	SEPARATION PAD SPRING 2	
1-4	LY2208001	1	SEPARATION PAD ASSY	



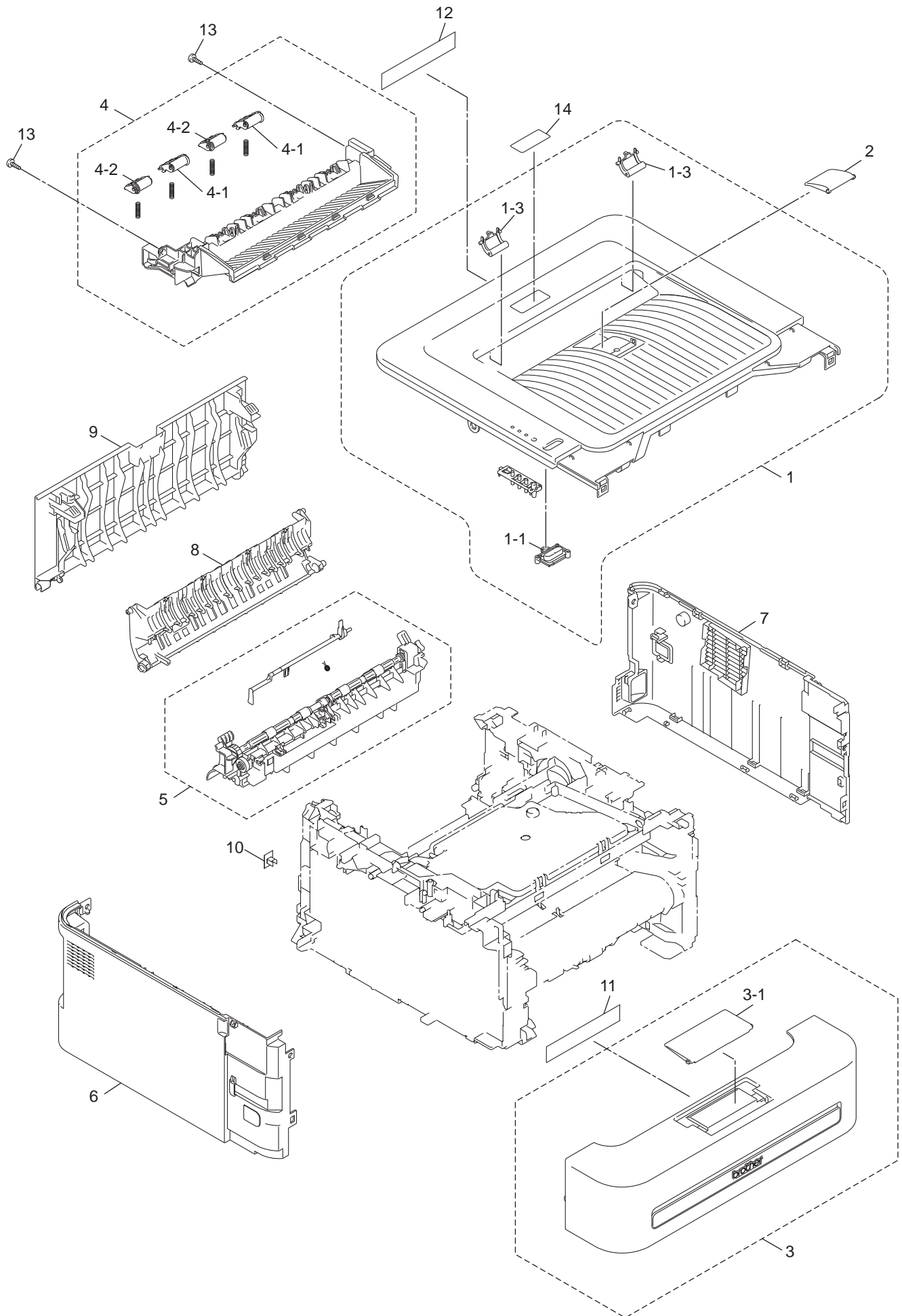
## 7. FUSER UNIT



7. FUSER UNIT

REF No.	CODE	Q'TY	DESCRIPTION	REMARKS
1	LY2487001	1	FUSER UNIT 115V (SP)	
1	LY2488001	1	FUSER UNIT 230V (SP)	
2	LJ0395001	2	TAPTITE PAN B M4X14	

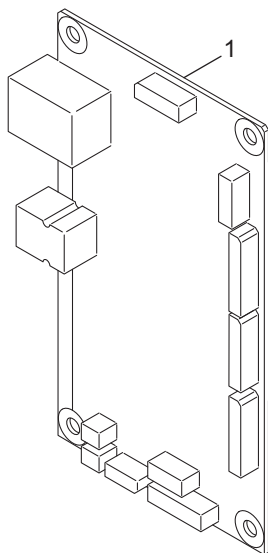
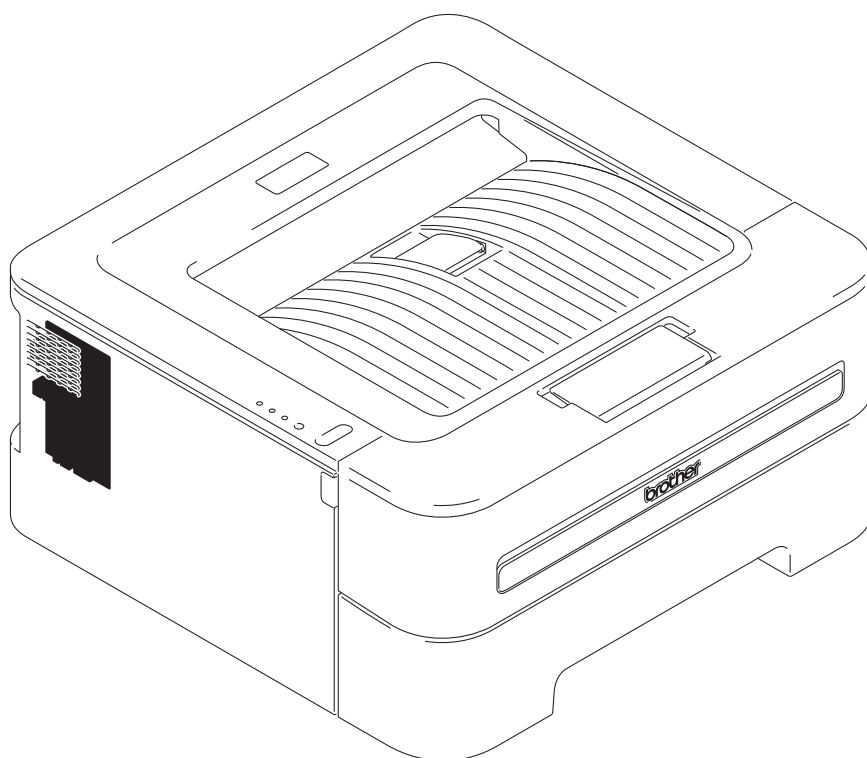
## 8. COVERS & LABELS



8. COVERS&LABELS

REF No.	CODE	Q'TY	DESCRIPTION	REMARKS
1	LY2254001	1	TOP COVER ASSY, HL-2240D	
1	LY2254002	1	TOP COVER ASSY, HL-2250DN	
1-1	LY2455001	1	SW KEY PRINTED ASSY, HL-2240D/2250DN	
1-2	---		Not used	
1-3	LY3026001	2	PAPER STACK LEVER, HL-2240D/2250DN	
2	LY2266001	1	SUPPORT FLAP 2, HL-2240D	
2	LY2266002	1	SUPPORT FLAP 2, HL-2250DN	
3	LY2267001	1	FRONT COVER ASSY, HL-2240D/2250DN	
3-1	LY2274001	1	SUPPORT FLAP 1, HL-2240D/2250DN	
4	LY2275001	1	INNER CHUTE ASSY, HL-2240D	
4	LY2275002	1	INNER CHUTE ASSY, HL-2250DN	
4-1	LU2234001	2	EJECT PINCH ROLLER R ASSY	
4-2	LU2237001	2	EJECT PINCH ROLLER L ASSY	
5	LY2317001	1	FUSER COVER	
6	LY2283001	1	SIDE COVER L, HL-2240D/2250DN	
7	LY2284001	1	SIDE COVER R, HL-2240D/2250DN	
8	LY2285001	1	OUTER CHUTE ASSY	
9	LY2287001	1	BACK COVER, HL-2240D/2250DN	
10	LY0872001	1	LAN PORT CAP, HL-2250DN	
11	LY2713001	1	LABEL PROCESS OP US 19X135, HL-2240D FOR US	
11	LY2438001	1	LABEL PROCESS OP EUR 19X135, HL-2240D/2250DN EXCEPT FOR US	
12	LY2439001	1	LABEL H CAUTION REAR 13X95	
13	LU5693001	2	TAPTITE BIND B M4X12	
14	LY2436001	1	MODEL PLATE, HL-2240D	
14	LY2522001	1	MODEL PLATE, HL-2250DN	

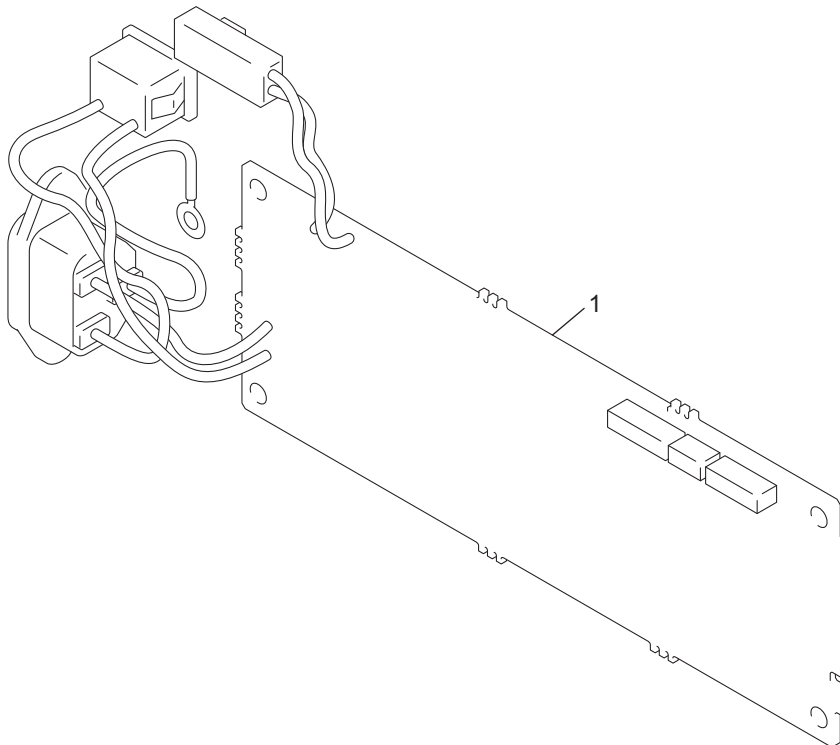
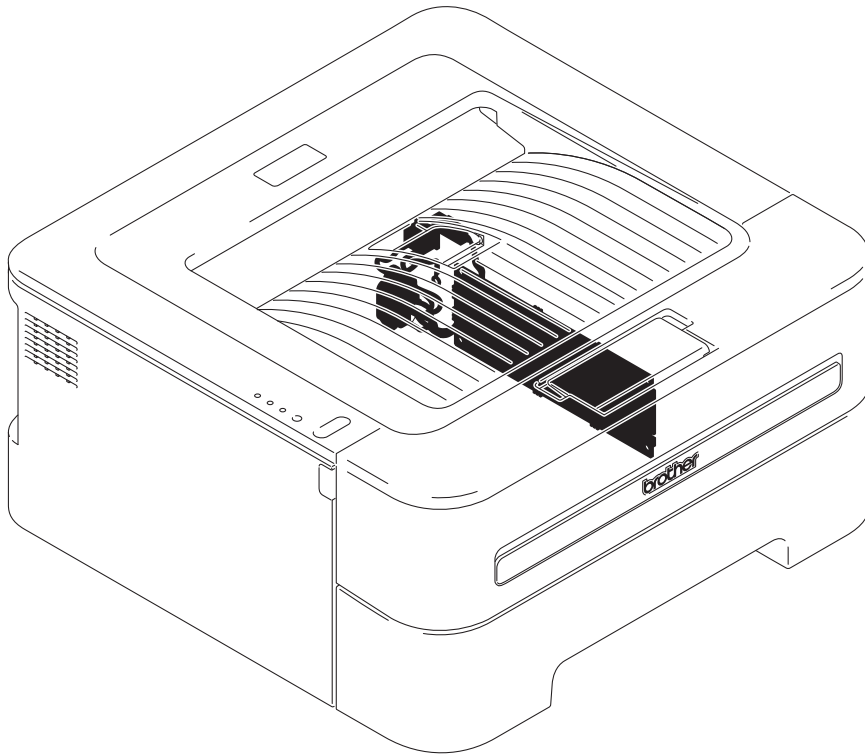
9. MAIN PCB



9. MAIN PCB

REF No.	CODE	Q'TY	DESCRIPTION	SYMBOL	REMARKS
1	LV0561001	1	MAIN PCB ASSY, HL-2240D	B512309	
1	LV0567001	1	MAIN PCB ASSY, HL-2250DN	B512314	

10. LVPS

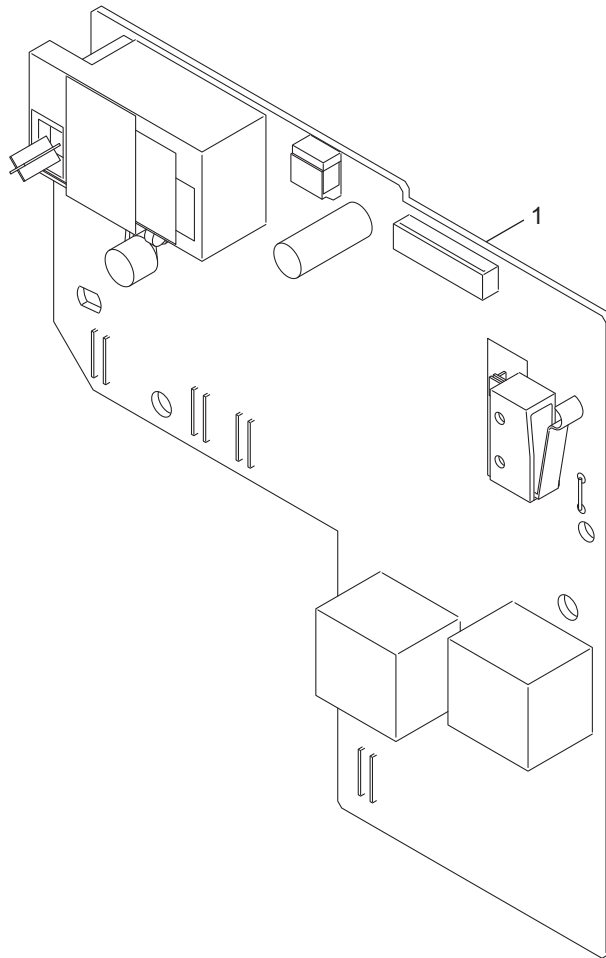
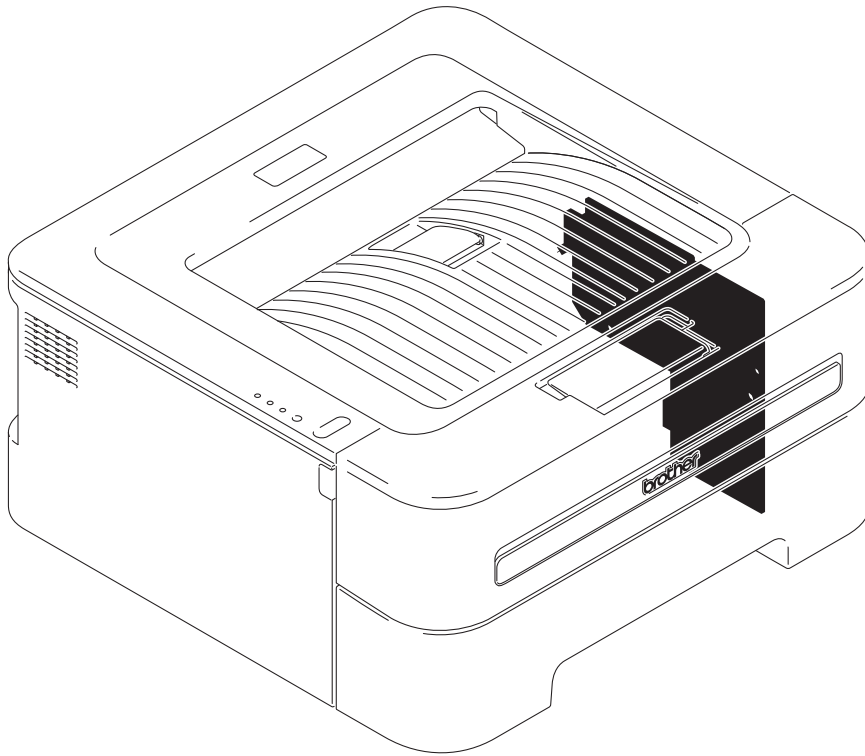


10. LVPS115V

REF No.	CODE	Q'TY	DESCRIPTION	REMARKS
1	LV0583001	1	LOW VOLTAGE POWER SUPPLY PCB ASSY 115V	
1	LV0584001	1	LOW VOLTAGE POWER SUPPLY PCB ASSY 230V	



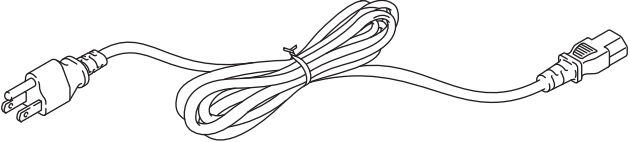
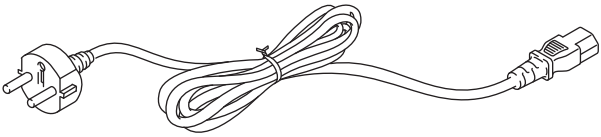
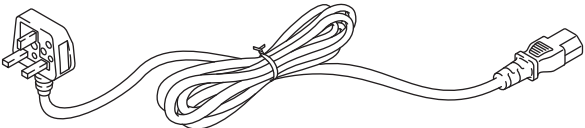
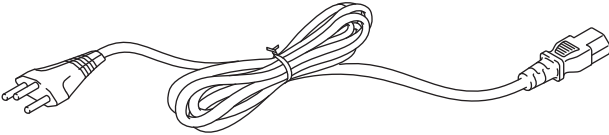
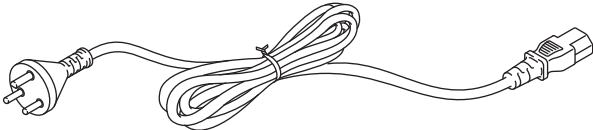
11. HVPS



11. HVPS

REF No.	CODE	Q'TY	DESCRIPTION	REMARKS
1	LV0564001	1	HIGHT VOLTAGE POWER SUPPLY PCB ASSY	

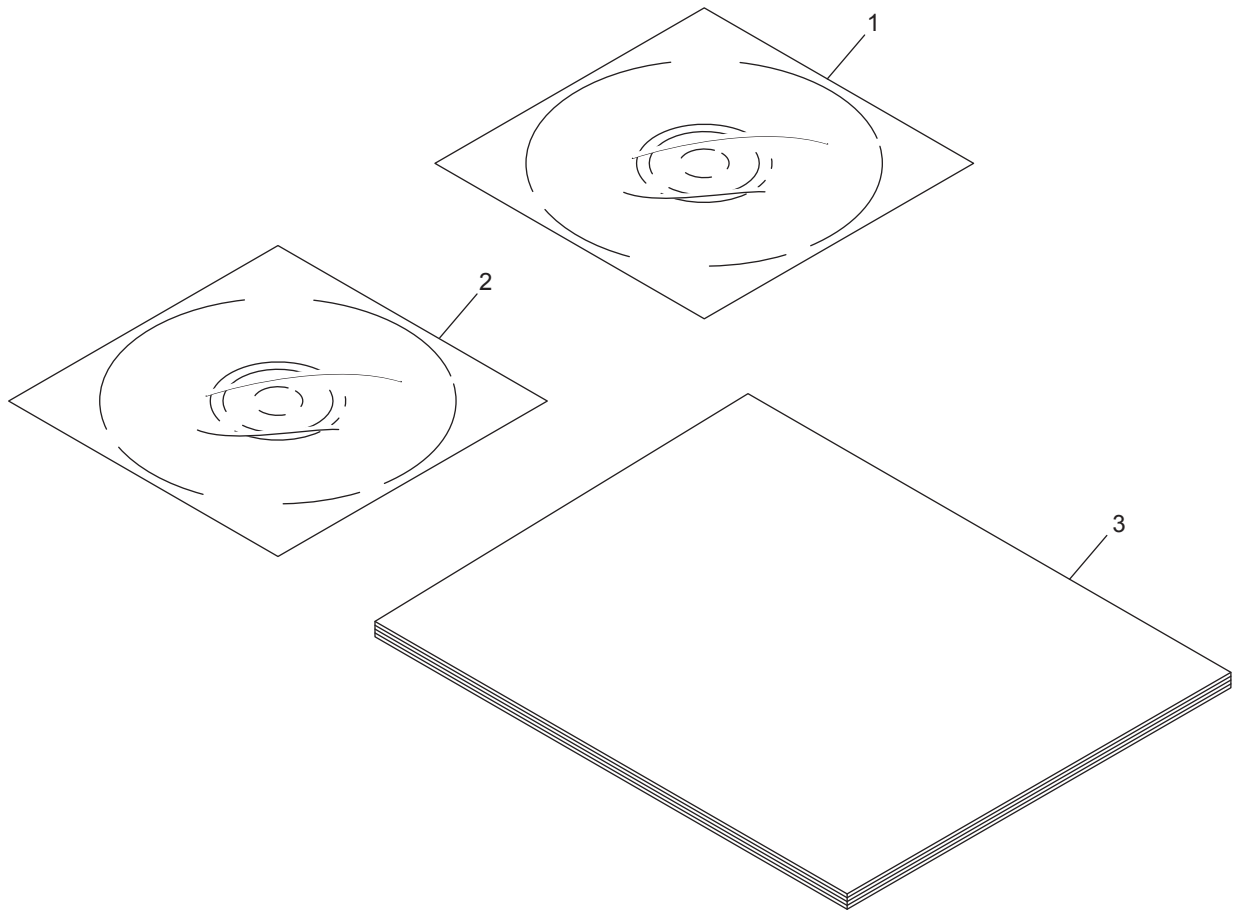
## 12. AC CORDS

1	
2	
3	
4	
5	

12. AC CORD

REF No.	CODE	Q'TY	DESCRIPTION	REMARKS
1	LJ9271001	1	AC CORD ASSY LF UL/CSA 10A	
2	LV0363001	1	AC CORD ASSY LF VDE S	
3	LV0367001	1	AC CORD ASSY LF BS/PSB S	
4	LJ9254001	1	AC CORD ASSY LF SEV	
5	LJ9256001	1	AC CORD ASSY LF DEMKO	

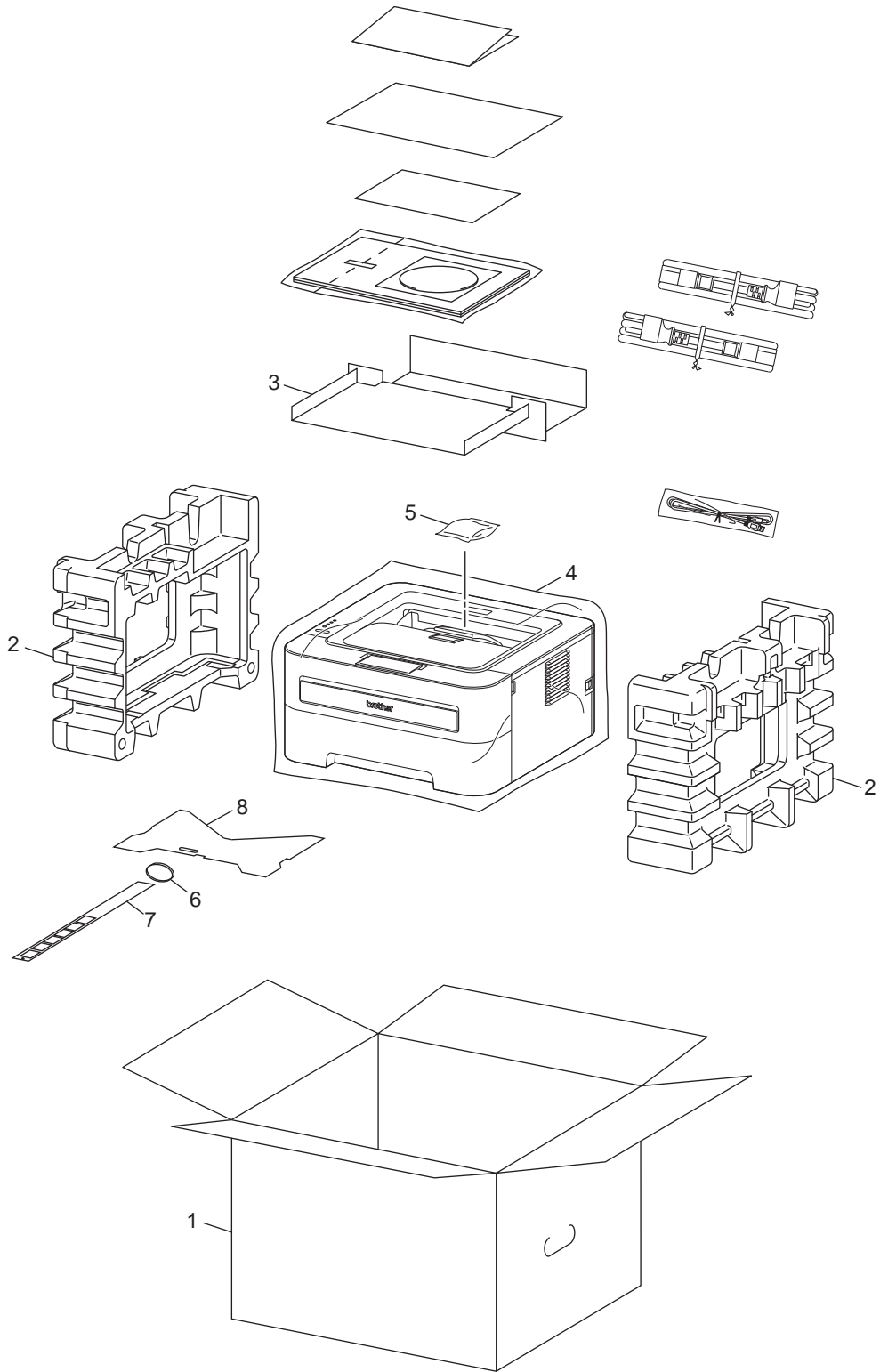
13. ACCESSORIES



13. ACCESSORIES

REF No.	CODE	Q'TY	DESCRIPTION	REMARKS
1	LY2701001	1	CDROM ASSY, HL-2240D/2250DN	
2	LY2690001	1	CD USER'S GUIDE, HL-2240D FOR US	
2	LY2692001	1	CD USER'S GUIDE, HL-2240D/2250DN EXCEPT FOR US	
3	LY2733001	1	SETUP GUIDE, HL-2240D/2250DN FOR US/UK (ENGLISH)	
3	LY2742001	1	SETUP GUIDE, HL-2240D/2250DN FOR GER/CHE (GERMAN)	
			SETUP GUIDE, HL-2240D/2250DN	
3	LY2744001	1	FOR CHE/FRA/BEL/NLD (FRENCH)	
3	LY2746001	1	SETUP GUIDE, HL-2240D/2250DN FOR ITA	
3	LY2752001	1	SETUP GUIDE, HL-2240D/2250DN FOR FRA/BEL/NLD (DUTCH)	
3	LY2760001	1	SETUP GUIDE, HL-2240D/2250DN FOR PND (NORWEGIAN)	
3	LY2761001	1	SETUP GUIDE, HL-2240D/2250DN FOR PND (SWEDISH)	
3	LY2758001	1	SETUP GUIDE, HL-2240D/2250DN FOR PND (FINNISH)	
3	LY2759001	1	SETUP GUIDE, HL-2240D/2250DN FOR PND (DANISH)	
3	LY2748001	1	SETUP GUIDE, HL-2240D/2250DN FOR IBR (SPANISH)	
3	LY2750001	1	SETUP GUIDE, HL-2240D/2250DN FOR IBR (PORTUGUESE)	

14. PACKING MATERIALS

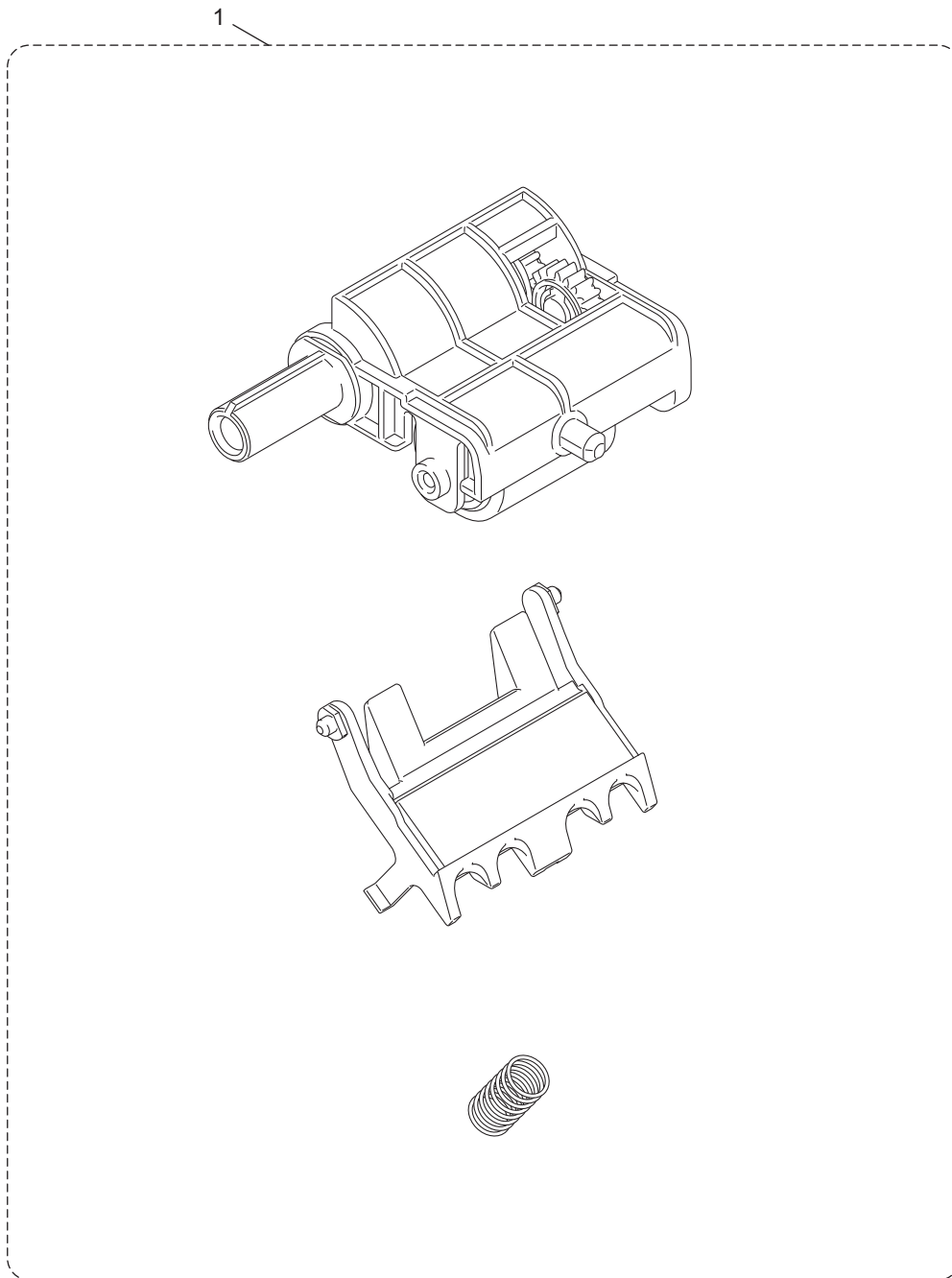


14. PACKING MATERIALS

REF No.	CODE	Q'TY	DESCRIPTION	REMARKS
1	LY2807001	1	CARTON, HL-2240D FOR US	
1	LY2843001	1	CARTON, HL-2240D FOR GER	
1	LY2841001	1	CARTON, HL-2240D FOR UK/PND	
1	LY2845001	1	CARTON, HL-2240D FOR CHE/FRA/BEL/NLD	
1	LY2848001	1	CARTON, HL-2240D FOR ITA/IBR	
1	LY2851001	1	CARTON, HL-2250DN FOR GER	
1	LY2849001	1	CARTON, HL-2250DN FOR UK/PND	
1	LY2853001	1	CARTON, HL-2250DN FOR CHE/FRA/BEL/NLD	
1	LY2855001	1	CARTON, HL-2250DN FOR ITA/IBR	
2	LY2444001	1	POLYSTYRENE PAD ASSY	
3	LY2447001	1	OPTION CARTON	
4	LY2688001	1	PE BAG 600X650	
5	LY0645001	1	SILICA GEL	
6	LY2501001	1	ELASTIC BAND	
7	LY2564001	1	PAPER STRIP	
8	LY2952001	1	PROTECTIVE MATERIAL	



15. PERIODICAL MAINTENANCE



15.PERIODICAL MAINTENANCE PARTS

REF No.	CODE	Q'TY	DESCRIPTION	REMARKS
1	LY3058001	1	PAPER FEEDING KIT	